



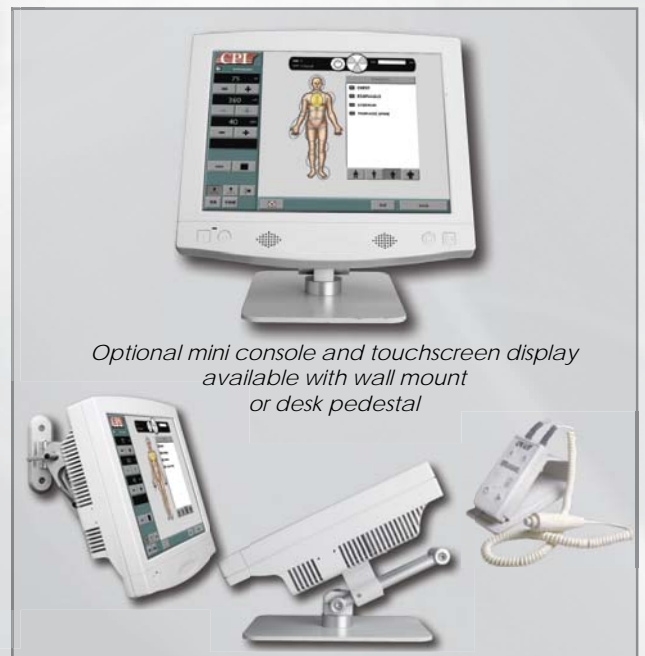
CM Series DR DIGITAL READY

MEDICAL X-RAY GENERATORS

Compact in size and lightweight, CM Digital Ready generators are a cost effective solution for all radiographic applications.

Product Features

- Digital Radiography Interfaces
- High frequency performance in excess of 400 kHz
- Anatomical programs available in several languages
- Membrane console pedestal and exposure handswitch
- 4 models to choose from: 40, 50, 65 & 80kW



Optional mini console and touchscreen display available with wall mount or desk pedestal

DEL MEDICAL
Eighty Years of Excellence

CM Series DR DIGITAL READY

Medical X-Ray Generators



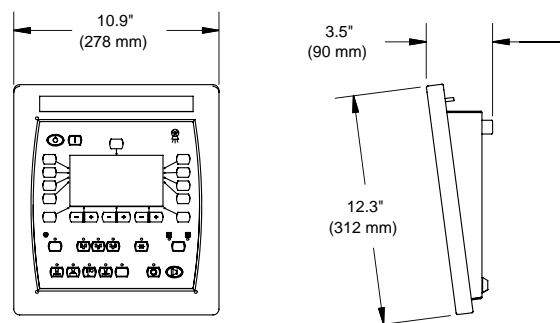
Generator Performance Matrix

	CM40DR (40kW)	CM50DR (50kW)	CM65DR (65kW)	CM80DR (80kW)
Application	Radiographic	Radiographic	Radiographic	Radiographic
Generator Type	High Frequency Output up to 400 kHz	High Frequency Output up to 400 kHz	High Frequency Output up to 400 kHz	High Frequency Output up to 400 kHz
kV Range	40 - 125 kV	40 - 150 kV	40 - 150 kV	40 - 150 kV
mA Range	10 - 500 mA	10 - 630 mA	10 - 800 mA	10 - 1000 mA
mAs Range Non-AEC	0.1 - 500 mAs	0.1 - 630 mAs	0.1 - 800 mAs	0.1 - 1000 mAs
Rotor Supply	Low Speed	Low Speed	Low Speed	Low Speed
Line Nominal/Phase*	1 Ø 208/230 VAC (125 kV) only 3 Ø 208/230 VAC (125 kV) 150kV optional 3 Ø 400/480 (125 kV) 150kV optional	3 Ø 208/230 VAC (150 kV) only 3 Ø 400/480 VAC (150 kV) only	3 Ø 208/230 VAC (150 kV) only ² 3 Ø 400/480 VAC (150 kV) only	3 Ø 208/230 VAC (150 kV) only ² 3 Ø 400/480 VAC (150 kV) only
High Voltage Ripple (typ.)	<1 kV @ 100 kV	<1 kV @ 100 kV	<1 kV @ 100 kV	<1 kV @ 100 kV
# of X-Ray Tubes	1 Tube Capability	1 Tube Capability	1 Tube Capability	1 Tube Capability
Auto-Tube Calibration	Yes	Yes	Yes	Yes
Timer Range, Programmable	*	*	*	*
Anatomical Programs (APR)	768 possible exam techniques (20,000+ with optional touchscreen)	768 possible exam techniques (20,000+ with optional touchscreen)	768 possible exam techniques (20,000+ with optional touchscreen)	768 possible exam techniques (20,000+ with optional touchscreen)
APR Languages*	Yes	Yes	Yes	Yes
# of Image Receptors	2 Bucky + 1 non-Bucky	2 Bucky + 1 non-Bucky	2 Bucky + 1 non-Bucky	2 Bucky + 1 non-Bucky
Technique Selection	1. kV with AEC option 2. kV/mAs 3. kV/mA/Time 4. kV/cm Thickness ¹	1. kV with AEC option 2. kV/mAs 3. kV/mA/Time 4. kV/cm Thickness ¹	1. kV with AEC option 2. kV/mAs 3. kV/mA/Time 4. kV/cm Thickness ¹	1. kV with AEC option 2. kV/mAs 3. kV/mA/Time 4. kV/cm Thickness ¹
GenWare® Service Software	Yes	Yes	Yes	Yes
Documentation	CD manual, hard copy optional	CD manual, hard copy optional	CD manual, hard copy optional	CD manual, hard copy optional
Tomography Function	Yes	Yes	Yes	Yes
Auxiliary Collimator Power	Yes	Yes	Yes	Yes
Exposure Hand Switch	Yes	Yes	Yes	Yes
Membrane Console Pedestal	Yes	Yes	Yes	Yes
Dual Speed Starter	N/A	3 Ø 400/480 VAC (only)	3 Ø 400/480 VAC (only)	3 Ø 400/480 VAC (only)
OPTIONS:				
DR Digital Interfaces*	Yes*	Yes*	Yes*	Yes*
Mini Console Control	Yes	Yes	Yes	Yes
Touchscreen Console	Yes	Yes	Yes	Yes
Touchscreen Wallmount	Yes	Yes	Yes	Yes
AEC Interface	Ionization or Solid State*	Ionization or Solid State*	Ionization or Solid State*	Ionization or Solid State*
Membrane Console Wall Mount	Yes	Yes	Yes	Yes
Dose Area Product (DAP) I/F*	Yes	Yes	Yes	Yes

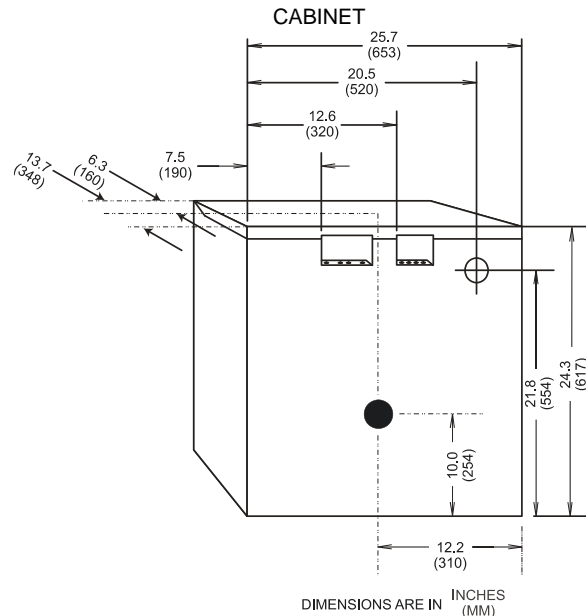
¹ Membrane console only. ² Line adjusting transformer required. ³ Nominal line.

* Consult factory for details. Other voltages are available. Consult factory for details. Specifications are subject to change without notice.

MEMBRANE CONSOLE

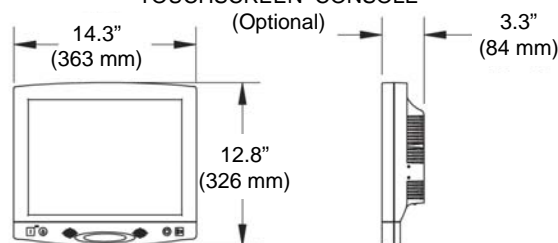


CABINET



DIMENSIONS ARE IN INCHES (MM)

TOUCHSCREEN CONSOLE (Optional)



CSA, CE. Del Medical is an ISO 13485 & ISO9001 Certified Facility. Specifications are subject to change without notice.

DEL MEDICAL

Toll Free: (800) 800-6006

Fax: (847) 288-7011

Email: info@delmedical.com

www.delmedical.com

50 N. Gary Ave., Suite B, Roselle, IL 60172

UMG Medical Imaging

Toll Free: (800) 261-9808

Fax: (914) 835-6111

Email: info@umgxray.com

www.umgxray.com

28 Calvert Street, Harrison, NY 10528