

DFMITS/FMITS

FLOOR MOUNTED TUBE STAND with Digital or Analog Display

This tube stand only requires a floor mounted rail for support and can be installed in rooms with ceiling heights as low as 87" (221cm). It is an ideal choice for a complete range of radiographic procedures and eliminates the need for costly room modifications.

Product Features

- Extensive longitudinal and transverse travel
- Focal spot positioning at 11" (28 cm) above floor for weight bearing exams
- Tube mount rotation of +/-180°
- Column rotation of +/-180° (where installation permits)

DFMITS/FMITS Series

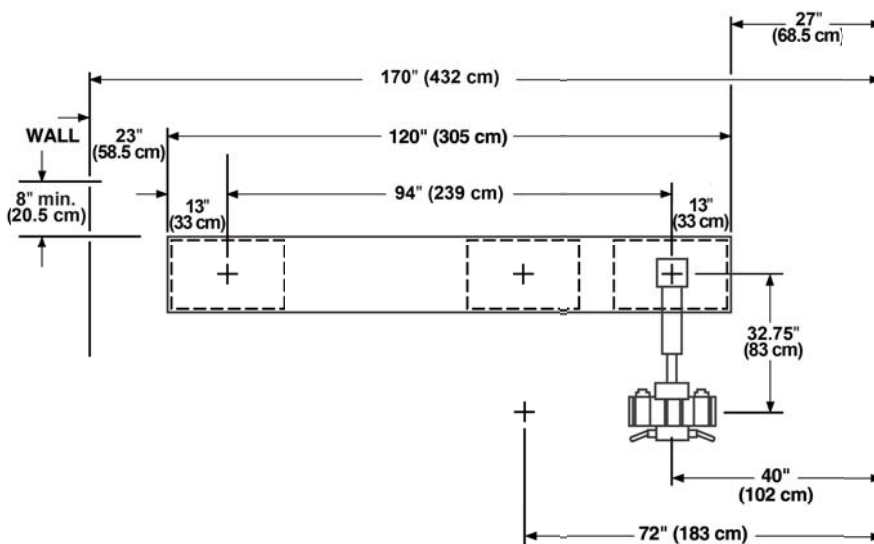
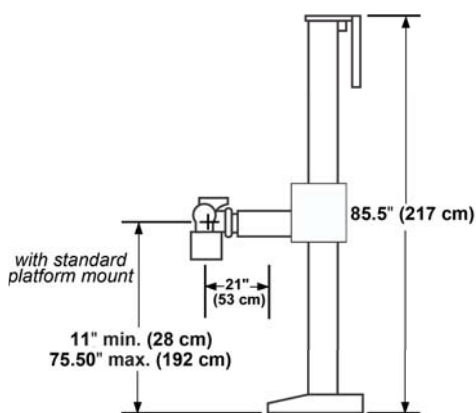
Floor Mounted Tube Stand

Technical Specifications:

Ceiling height:	Minimum 87 in. (221 cm)
Column height:	85.50 in. (217 cm)
Vertical travel:	64.5 in. (164 cm) total
Floor to focal spot: (with standard platform mount)	Minimum 11 in. (28 cm), Maximum 75.50 in. (192 cm)
Longitudinal travel:	94 in. (239 cm)
Rail longitudinal length:	120 in. (305 cm)
Transverse travel:	11 in. (28 cm)
Tube, collimator and cable support capacity:	88 lbs. (40 kg)
Tube standard weight:	460 lbs. (209 kg)
Platform assembly weight:	125 lbs. (57 kg) net
Column rotation:	180° where installation permits
Tube rotation:	±180° detents for lateral decubitus projections
Base assembly to rear wall:	8 in. (20.5 cm)
ETL Listed; CE Marked	

Product Options:

- 140kHU, 200kHU, 300kHU or 400kHU X-ray tubes
- Manual, semi-automatic or fully automatic collimators
- Trunnion mount
- Digital (DFMITS) or analog (FMITS) display



Del Medical is an ISO 13485 & ISO9001 Certified Facility.
Specifications are subject to change without notice.

DEL MEDICAL

Toll Free: (800) 800-6006
Fax: (847) 288-7011
Email: info@delmedical.com
www.delmedical.com
50 N. Gary Ave., Suite B, Roselle, IL 60172

UMG

Toll Free: (800) 261-9808
Fax: (914) 835-6111
Email: info@umgxr.com
www.umgxr.com
28 Calvert Street, Harrison, NY 10528