

DELWORKS **CR** *Mobile*

A battery powered mobile digital x-ray system that provides a compact, transportable x-ray system integrated with a built-in digital x-ray cassette reader and a full-featured technologist work station.

Product Features

- Dual independent rear wheel drive motors for exceptional maneuverability and smooth, quiet travel
- Dual collimator controls located on both the front and rear of the tube head
- Delivers quality images in 23 - 39 seconds
- The telescopic arm provides the technologist added flexibility for hard to reach areas.



The on board, full-featured DelWorks console provides immediate image previews on the built-in 15" color LCD touchscreen monitor.

DEL MEDICAL
A **UMG** COMPANY

DELWORKS **CR** Mobile

DelWorks Digital X-Ray Cassette Reader

Standard Features

Available Cassette and IP Types: Accepts standard size cassettes and imaging plates on demand (in inches): 8x10, 10x12, 10x24, 14x14, 14x17, 14x34, 14x40 and 14x50

Image Display Time

Starts in 12 seconds, complete display in 23-39 sec. from cassette insertion (fully processed)

Throughput

Standard mode 62-92 image plates/hour (Fast Scan mode 87/hr 14x17")

Cycle Time

38-58 sec. 14x17" (Fast Scan mode: 41 sec. cycle time)

Image Reading Specifications

12 bits gray scale, output:10 or 12 bits

Reading Density

Standard mode 100 micron, 10 px/mm (Fast Scan mode 200 micron, 5 px/mm)

Telescopic Arm

Extends 29.5-52.5" and from 23.5-76" from the floor

Tube Movements

Horizontal Tube Head Rotation +90/-20°, Tube Angulation +/-180°, Column Rotation +/-325°, Collimator Rotation +/-90°

Environmental Conditions

Heat Output (max): 1.05MJ/h or lower

Noise (max): Operating: > 55db, Standby: < 40db

Operating Conditions

(Non-Operating/Storage)

Temperature: 32°-113°F (0°-45°C) no freeze condensation

Humidity: 30-80% RH (10-90%) no dew condensation

Atmospheric pressure: 750 - 1060hPa

Dimensions

LxWxH: 55.1 x 22.8 x 75.8 inches (1400x580x1925 mm)

Solid Shock Absorption Wheels –

Rear: 11.8" dia. (30 cm), Front: 6"

dia. (15cm) on 360° rotating casters

System Weight: 1,144 lbs (520kg)

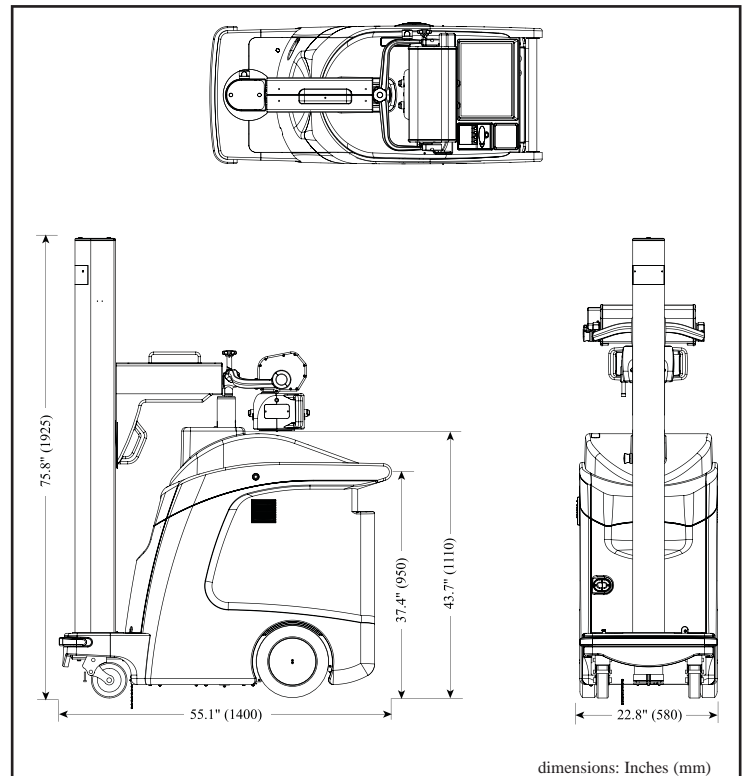
Battery & Charging

Includes 16, 12 volt hermetically sealed lead acid batteries (192V). Typical use will provide up to 40 exams with 1.25 miles travel on a single charge. Requires standard 3-prong AC outlet, 120VAC +/-10%, single phase: 60 Hz, 0.6 A or less typical, 1kVA max power consumption.



Product Options:

- Wireless Connectivity Package
- Cassettes and Imaging Plates
- Image Stitching Software
- DICOM Print
- Wired Barcode Scanner
- Secured USB Flash Drives
- X-Ray Protection Barrier leaded glass shield, mounts on top of reader
- Column safety mirrors
- Secondary apron hook
- FCR One Shot Phantom/One Shot Phantom Plus QC Packages
- DAP Meter
- Physical source to skin guards with taller tube lock down column



Del Medical is an ISO 13485 & ISO9001 Certified Facility. Specifications are subject to change without notice.

DEL MEDICAL

Toll Free: (800) 800-6006

Fax: (847) 288-7011

Email: info@delmedical.com

www.delmedical.com

50 N. Gary Ave., Suite B, Roselle, IL 60172

Del Medical is a UMG Company.

*Del Medical is an ISO 13485 & ISO9001 Certified Facility.
Specifications are subject to change without notice.*

UMG

Toll Free: (800) 261-9808

Fax: (914) 835-6111

Email: info@umgxray.com

www.umgxray.com

28 Calvert Street, Harrison, NY 10528