

3546/3547

Vertical Wall Holder





3546/3547 Vertical Wall Holder

Designed specifically for upright radiography, the 3546/3547 Vertical Wall Holder meets the requirements of hospitals, clinics, ambulatory care centers, HMO's, group practice and private offices.

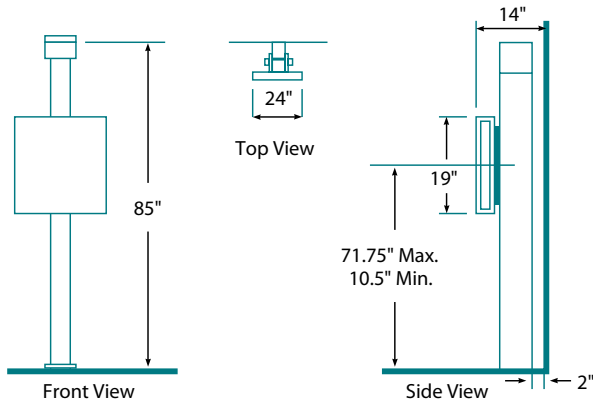
Combine the 3546/3547 Vertical Wall Holder with one of our many system packages, for the ultimate high performance radiographic system.

Standard Features (as stand alone)

- Floor-to-wall mounted vertical counterbalanced for increased esthetics and stability.
- Vertical mechanical lock maintains cabinet height.
- Fully counterbalanced wall grid cabinet positions easily to desired height.
- Dual counterweight cables for added patient/user safety.
- Supplied with cassette tray (non-size sensing).
- Accepts 14" x 17" and all smaller size cassettes to adapt to any technique.
- 103 line, 8:1 ratio fine line grid provided for greater film quality.
- 61.25" of vertical travel permits a wide variety of radiographic exams.

Options

- Electric Locks.
- PBL interface size sensing tray.
- AEC capability (to accept optional ion chamber).



Comprehensive Equipment Warranties

Specifications subject to change without notice.
Conforms to CDRH Standards at time of shipment.
Baked on Durable Medical White Finish.
Available from stock for quick, simple installations.

Universal

DEL MEDICAL

Toll Free: (800) 800-6006

Fax: (847) 288-7011

Email: info@delmedical.com

www.delmedical.com

50 N. Gary Ave., Suite B, Roselle, IL 60172

UMG Medical Imaging

Toll Free: (800) 261-9808

Fax: (914) 835-6111

Email: info@umgxray.com

www.umgxray.com

28 Calvert Street, Harrison, NY 10528